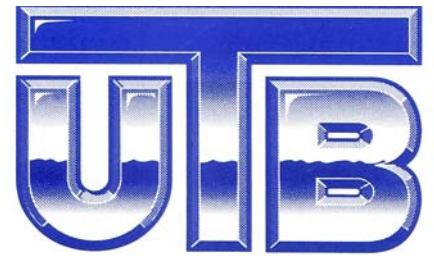
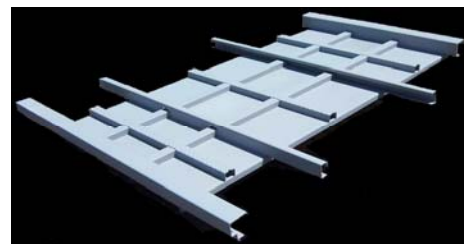
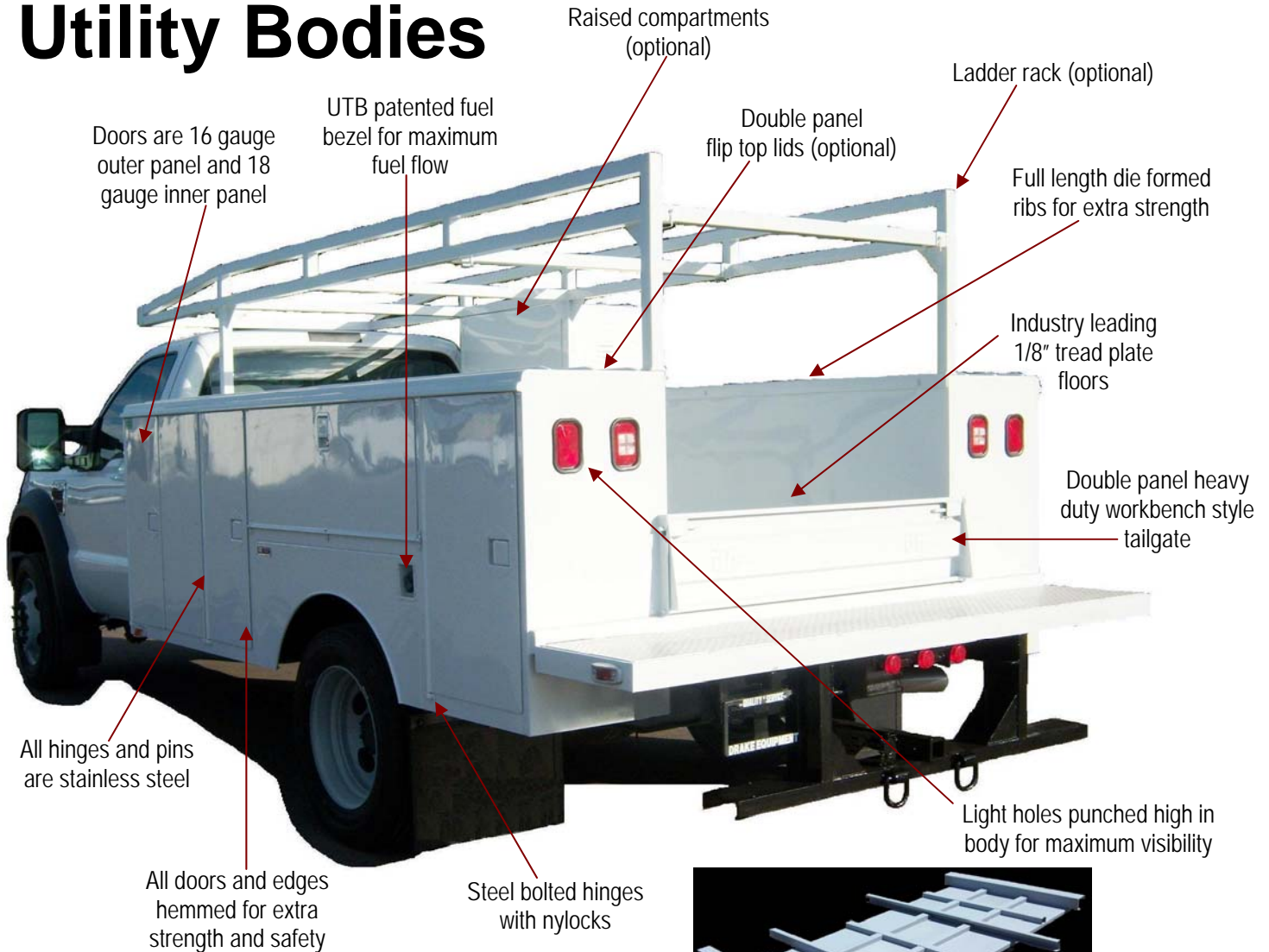


SERIES 130

QUALITY ENGINEERED



Utility Bodies



Patented interlaced understructure for maximum strength

UTILITY...Our First Name For Over 50 Years
"Our 50 years of engineering, design and production experience assures customer satisfaction and continues to provide a standard for the industry."



UNITED TRUCK BODIES "Built to Work...Built to Last!"

2235 S. 19th Ave. Phoenix, AZ 85009 602-258-4223 Fax 602-258-4008 Email: info@unitedtruckbodies.com

SERIES S-130

QUALITY ENGINEERED

		STANDARD HEIGHT	LOW PROFILE
MODEL DESIGNATION		13042	13036
BODY HEIGHT	A	42"	36"
FLIP TOPS (OPTIONAL)	B	ADD "FT" AFTER MODEL NO.	
HORIZ. COMPT. HEIGHT	C	20"	14"
FLOOR TO COMPT. TOP	D	28"	22"
OVERALL BODY WIDTH	E	94"	94"
CLEAR DOOR OPENINGS		L X H	L X H
FRONT VERTICAL		32" X 34"	32" X 28"
SECOND VERTICAL		14" X 34"	14" X 28"
HORIZ. COMPARTMENT		47½" X 15"	47½" X 9"
REAR COMPARTMENT		18" X 34"	18" X 28"

STANDARD COMPARTMENT INTERIORS:

FRONT VERTICALS.....2-ADJUSTABLE SHELVES

HORIZONTAL.....1-FIXED SHELF

REAR VERTICAL.....1-ADJUSTABLE SHELF

OPTIONAL FEATURES:

CRANE REINFORCEMENTS

COMPRESSORS

PULL OUT DRAWERS

BOOK SHELVES

FLIP TOP COMPARTMENTS

THREE POINT LATCHES

VICE BRACKETS

TELESCOPIC ROOFS

RAISED SUPERSTRUCTURE ROOFS

BARN DOORS FOR SUPERSTRUCTURES

GENERATORS

CONE HOLDERS

SPOT LIGHTS & LIGHT BARS

CUSTOM BUMPERS

RAISED FRONT VERTICAL COMPARTMENTS

HOT STICK BOXES

LADDER RACKS

STANDARD FEATURES:

INTERLACED UNDERSTRUCTURE

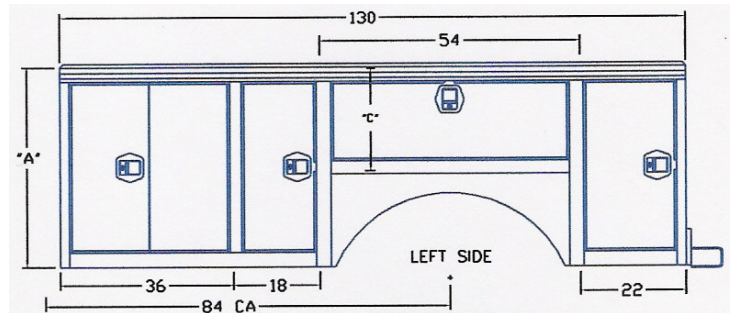
EVERY OPENING & EDGE HEMMED FOR STRENGTH AND SAFETY

BOOK SHELVES

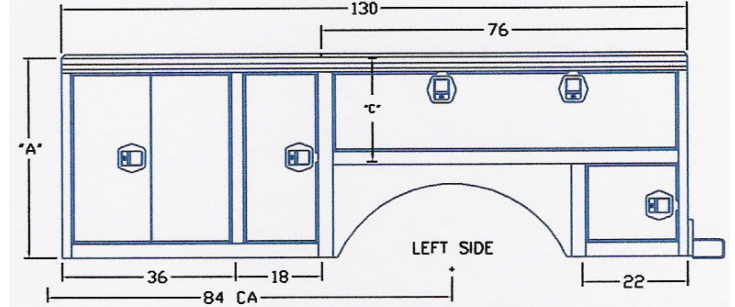
FULLY UNDERCOATED

ALL DOORS HAVE HEAVY DUTY RESTRAINTS

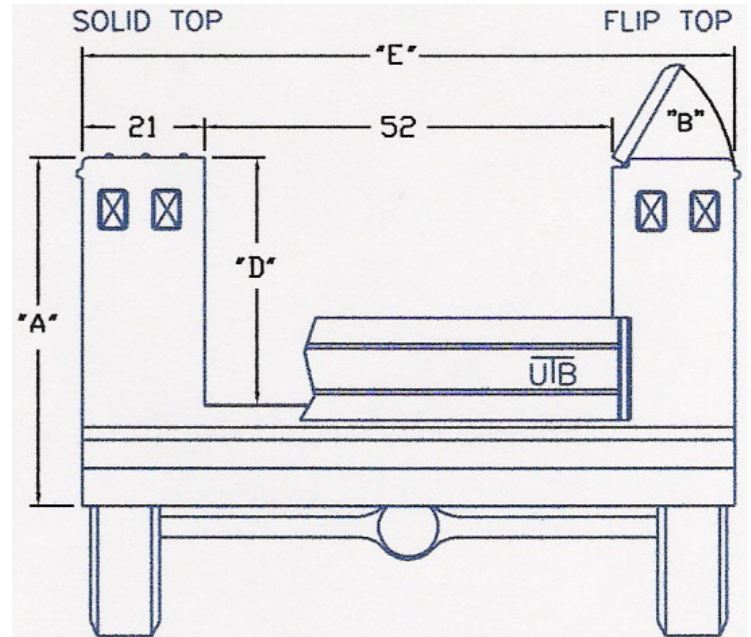
AUTOMOTIVE BULB SEAL ON ALL DOORS



SOLID TOP SERIES



HORIZONTAL SERIES



GOING BEYOND YOUR EXPECTATIONS!



We invite you to visit UTB or one of our distributors to discuss your utility or field mechanic body requirements.

AVAILABLE FROM:

FROM ¾ TON TO 2 TON, UTB COVERS ALL YOUR HEAVY DUTY SERVICE AND CRANE BODY NEEDS